

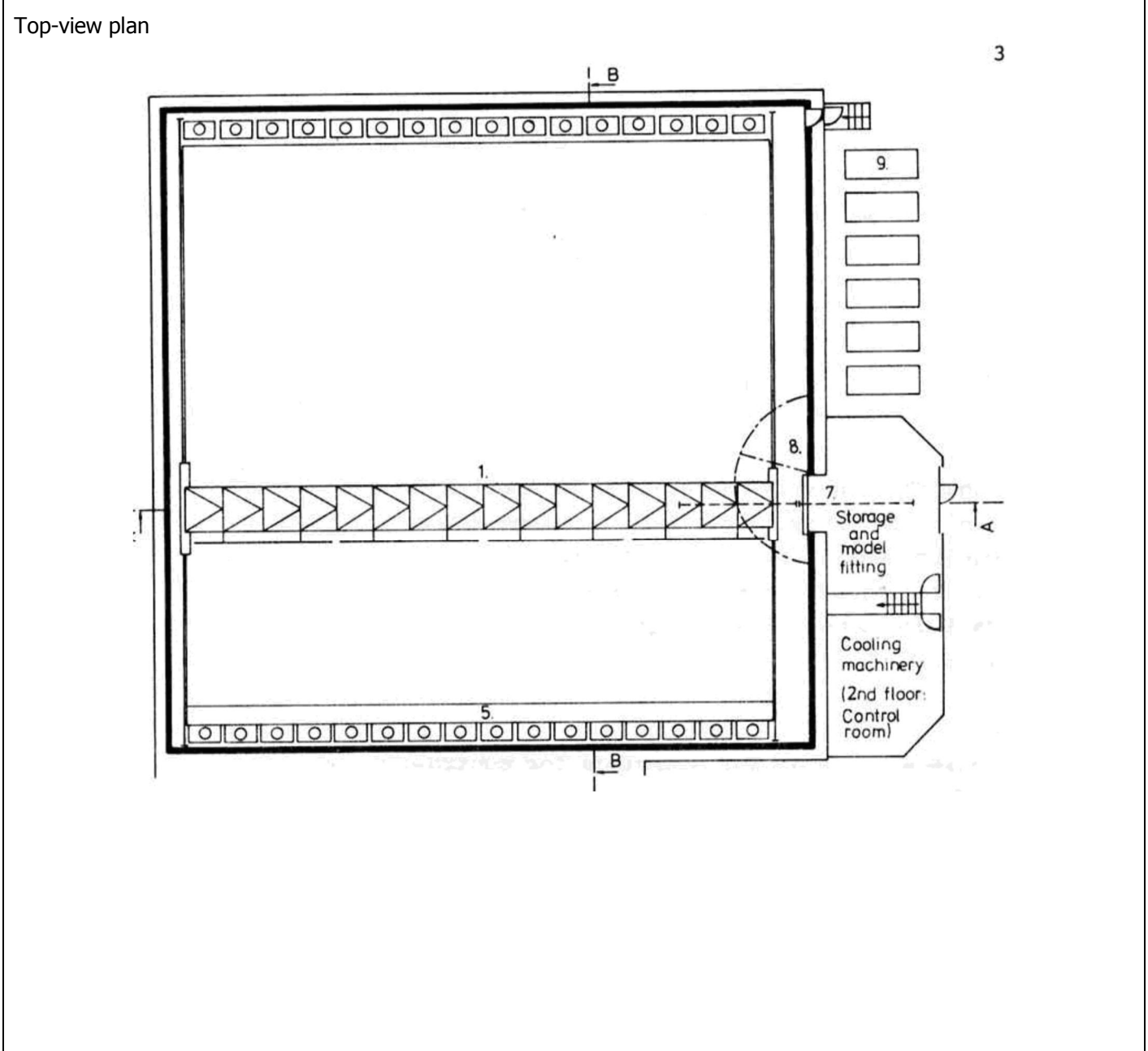
Name of organization VTT Technical Research Centre of Finland Ltd	Year of information updating 2016
Year established 1942	Year of joining the ITTC
Address Vuorimiehentie 3 (Espoo), P.O. Box 1000, FI-02044 VTT	Status in the ITTC AC member
Contact details (phone, fax, e-mail) Tel. +358 20 722 111 Fax +358 20 722 7001 info@vtt.fi	Website http://www.vttresearch.com/

Type of facility Manoeuvring basin	Year constructed/upgraded Early 1980's / 2016
--	---

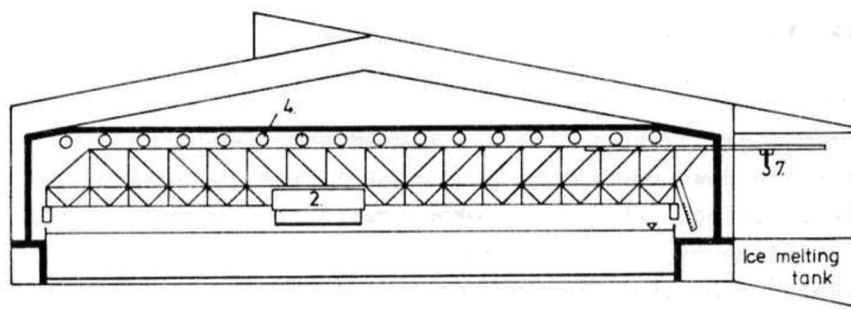
Name of facility	Location (if different from the above address) Tietotie 1C, 02150 Espoo
-------------------------	---

Main characteristics (dimensions of tank/basin/test section; for simulators: full mission, part task or desk top)
40 m x 40 m x 2.8 m, with a wave maker and a beach on the side opposite to the wave maker.

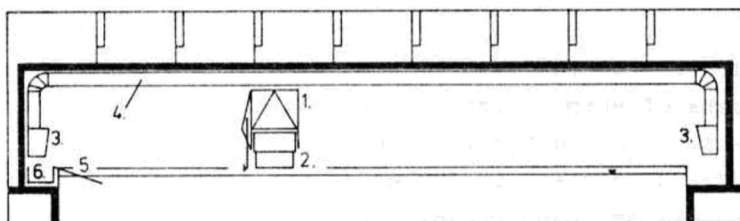
Drawings of facility



Cross-section-view plan



SECTION A



SECTION B

- 1. X-carriage
- 2. Y-carriage
- 3. Cooling evaporators
- 4. Air tubes
- 5. Sloping beach
- 6. Ice ditch
- 7. Overhead crane beam
- 8. Lifting arm
- 9. Heat exchangers

Detailed characteristics (carriages, wave/current/wind generators, instrumentations, etc.)

- X-Y carriage
- Wedge-type wave maker

Applications (Tests performed)

- Manoeuvring
- Tests in waves

Published description (Publications on this facility)