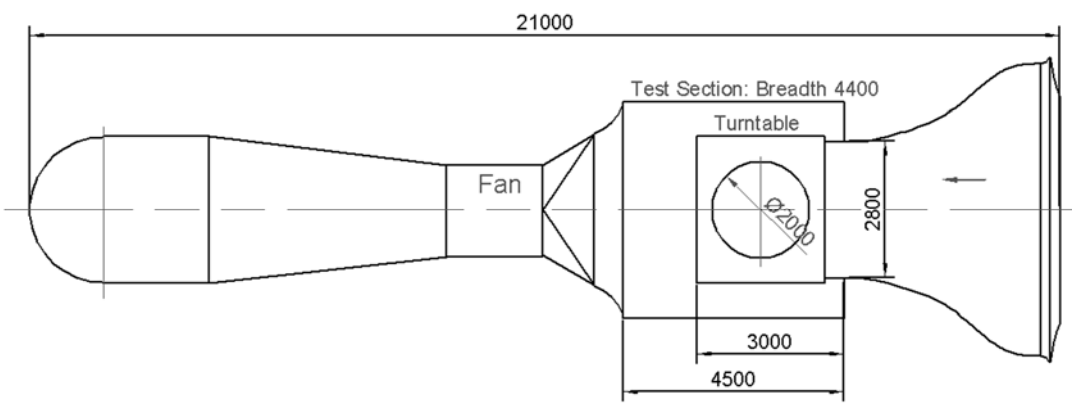
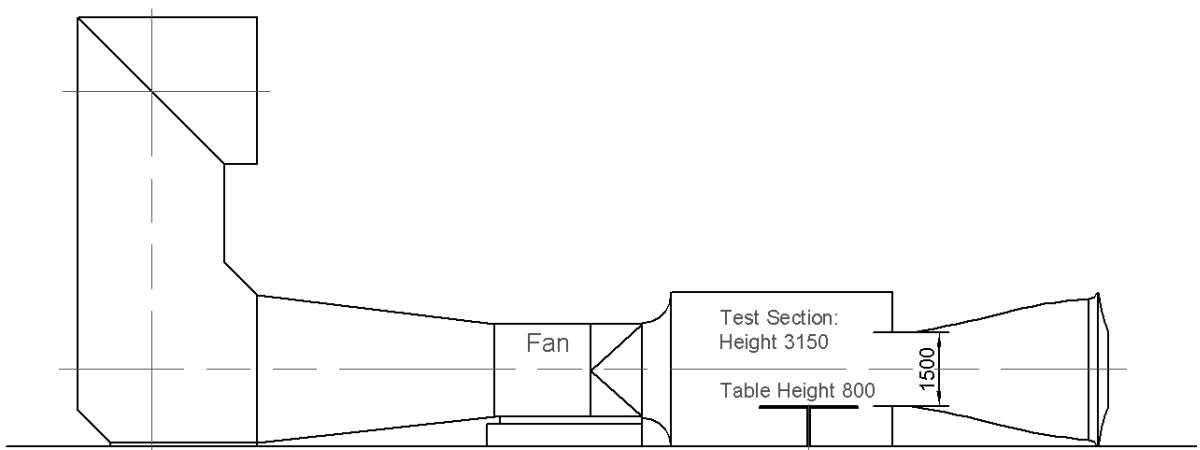


<b>Name of organization</b> Schiffbautechnische Versuchsanstalt in Wien GmbH Vienna Model Basin Ltd		<b>Year of information updating</b> 2016
<b>Year established</b> 1912 established, opened in 1916		<b>Year of joining the ITTC</b> 1932
<b>Address</b> Brigittenauerlande 256, A-1200 Vienna, Austria		<b>Status in the ITTC</b> Advisory Council Member Advisory Council Chairman
<b>Contact details</b> (phone, fax, e-mail) Phone: +43 1 330 37 32 Fax: +43 1 332 93 85 E-Mail: sva@sva.at		<b>Website</b> <a href="http://www.sva.at">http://www.sva.at</a>
<b>Type of facility</b> Wind Tunnel	<b>Year constructed/upgraded</b> 1995 / 2014	
<b>Name of facility</b> Wind Tunnel	<b>Location</b> (if different from the above address)	
<b>Main characteristics</b> (dimensions of tank/basin/test section; for simulators: full mission, part task or desk top) Test section 2800 mm x 1500 mm x 2200 mm [B x H] Wind velocities 0.5 m/s – 28 m/s Model size up to 2 m length		
<b>Drawings of facility</b> Top-view plan 		
Corss-section-view plan 		
<b>Detailed characteristics</b> (carriages, wave/current/wind generators, instrumentations, etc.) <b>Description</b> open return type wind tunnel with open and exposable measurement section		

**Instrumentation**

six-component balance (200 N/20 Nm), hot wire probes, precision vane wheel anemometers, ionization detectors, fog generator, smoke machine

**Applications** (Tests performed)

Boundary layer tests (visualization of the flow over the superstructure), smoke/plume observation, determination of comfort parameters (comfort tests), tracer gas concentration measurements, measurement of forces and moments by the wind, assessment of the weather criterion

**Published description** (Publications on this facility)